



SP21AJ/SP21A

The horizontal/vertical steering and control system is a standard feature of this working platform which can be easily operated and controlled.

The integrated smooth system monitors the travelling, hoisting and swiveling speed continuously and makes any necessary adjustments automatically.

The powerful all-wheel drive (4x4) and the full floating axle give the platform an excellent off-road capability.

The full warranty period for the SP18AJ and the SP18A is 2 years, with another 3 years on top of it for the parts.

AICHI equipment is extremely reliable. The high-quality products have been designed for daily use in the most difficult conditions.



Working Height: 23 m



Specifications

SP21AJ

SP21A

Reach Specifications

Platform Height	21.0 m	
Horizontal Outreach	17.8 m	18.6 m
Swing	360 degree, continuous	
Platform Capacity	227 kgs	
Platform Rotator	180 degrees (90, 90)	
Jib Range of Articulation	130 degrees (+70,-60)	N/A

Dimension Data

A: Platform Size	1.8 m x 0.75 m (Std), 2.4 m x 0.75 m (Opt)	
B: Overall Width	2.43 m	
C: Tailswing	2.36 m	
D: Overall Height	2.64 m	
E: Overall Length	11.57 m	10.15 m
F: Wheelbase	2.50 m	
G: Ground Clearance	0.255 m	
Gross Vehicle Weight	14,300 kgs	14,100 kgs

Chassis

Drive Speed 4WD	5.5 km/h
Gradeability 4WD	24 degrees
Tires	15 x 19.5, foamfilled
Axle Oscillation	STD

Power Source

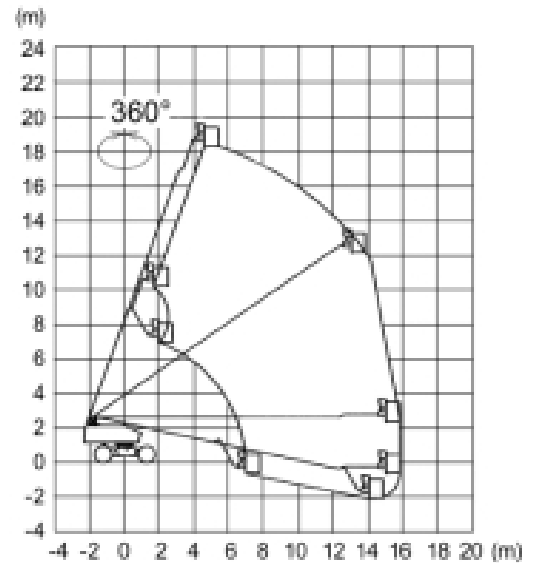
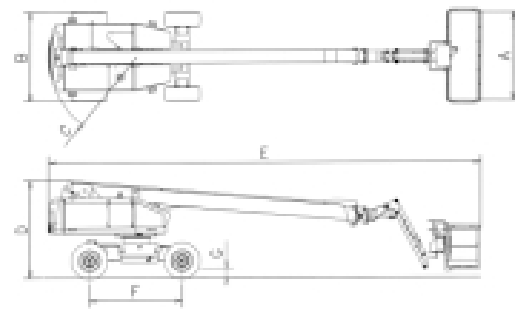
Diesel Engine	Isuzu A 4JB1, PAA-22
Max. Output	44.3 KW/2,400 rpm
Fuel Tank Capacity	150 liter

Safety Features

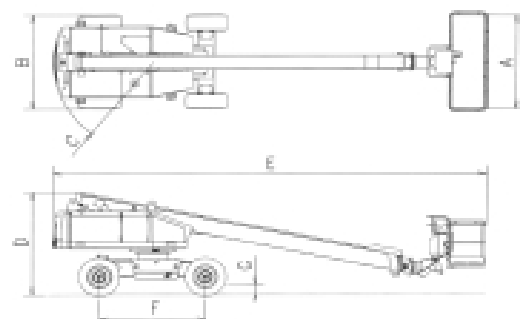
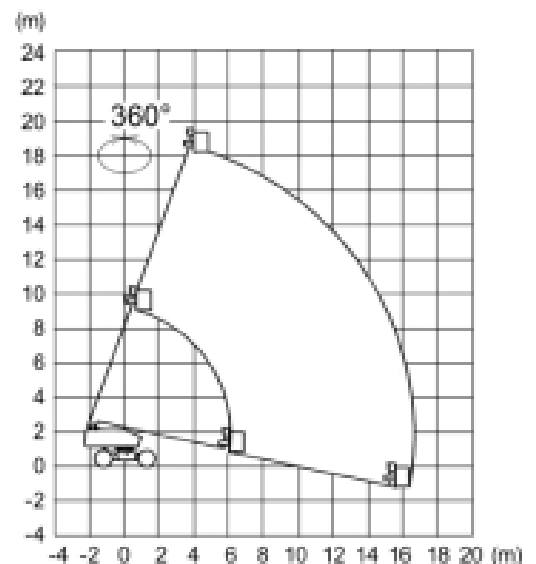
H-V-Control	STD
Sandblast Protection	STD
Travel Speed Control	STD
Rotation Speed Control	STD
Lifting Speed Control	STD
All Motion Alarm	STD
Lever Guard	STD

Technical specifications may change without notice!

SP21AJ



SP21A



Universal

universalplatforms.com | contact@universalplatforms.com
0800 866 587