

AICHI
SR-123

The compact design in combination with a robust three-stage boom will ensure that the machine is not only extremely mobile, it can also cover a large working area within a confined space.

The solid steel structure, the use of stable components and the installation of all cables and hoses inside the running gear as well as inside the boom will prevent almost any damage.

Operating the machine is logical and straightforward. Even strong hands can make all delicate movements with the robust and absolutely protected joystick.

AICHI equipment is extremely reliable. The high-quality products have been designed for daily use in the most difficult conditions.



Technical specification for the SR-123

Model Number & Name

| | |
|-------|---|
| Model | SR-123 |
| Name | Crawler type self-propelled aerial platform |

Platform

| | |
|--------------------------------|-------------------------|
| Max. load capacity | 250 kgs |
| Max. platform height | 12.0 m |
| Max. horizontal outreach | 10.6 m |
| Platform inner size (standard) | 1.83 m x 0.75 m x 1.1 m |
| Platform inner size (option) | 2.4 m x 0.75 m x 1.1 m |
| Platform rotator | 180 degrees hydraulic |

Boom

| | |
|-------------|--------------|
| Boom length | 5.9 - 10.9 m |
|-------------|--------------|

Slewing device

| | |
|---------------|-------------------------|
| Slewing angle | 360 degrees, continuous |
| Slewing speed | 0.54 upm |

Travelling

| | |
|---------------------|--------------|
| Traveling Speed | 0 - 2.6 km/h |
| Gradeability stowed | > 65 % |

Dimension Data

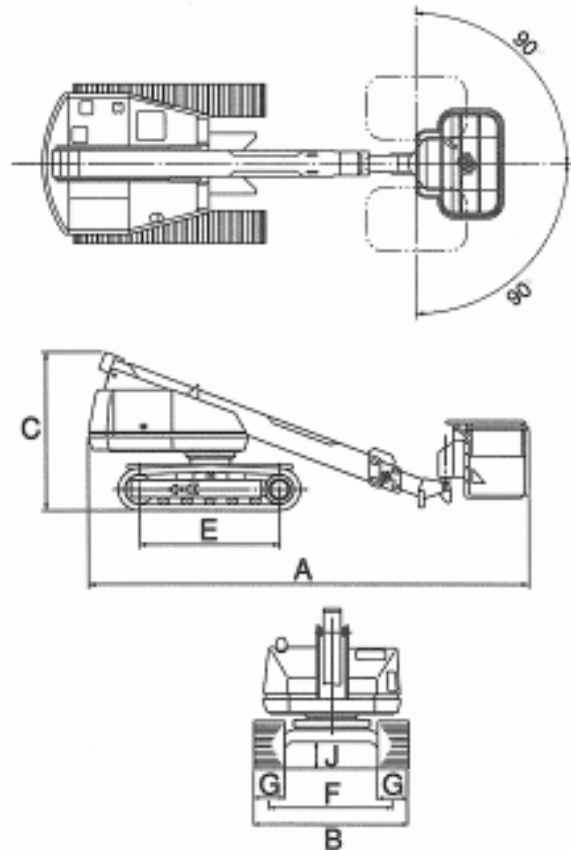
| | |
|----------------------------|-------------------------|
| A: Overall Length | 6330 mm |
| B: Overall Width | 2150 mm |
| C: Overall Height | 2200 mm |
| J: Ground Clearance | 360 mm |
| E: Tumbler center distance | 2050 mm |
| F: Crawler center distance | 1700 mm |
| G: Crawler shoe width | 450 mm |
| Gross Vehicle Weight | 7650 kgs |
| Max. ground pressure | 0.66 kg/cm ² |

Power Source

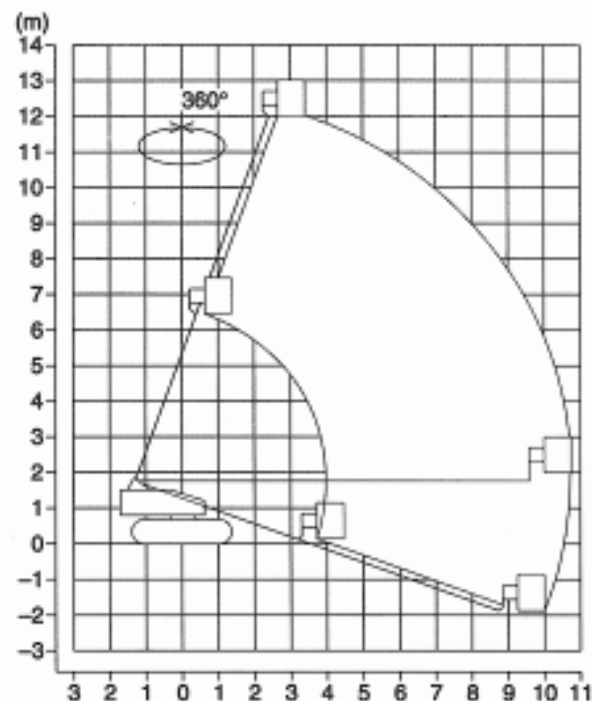
| | |
|--------------------|------------|
| Name and type | Isuzu 4JB1 |
| Max. output | 41 KW |
| Displacement | 2771 ccm |
| Voltage | 24 V |
| Fuel Tank Capacity | 108 l |

Hydraulics

| | |
|--------------------|-------------------------|
| Pressure | 210 kgf/cm ² |
| Reservoir capacity | 170 l |



SR-123



Notes:

1. The deflection of the boom is not taken into consideration in the chart.
2. The operating range is the same in any direction.
3. The Chart shown above is based on supposition that the ground is horizontal and hard and that the wind velocity is less than 16 m/sec.

Universal

universalplatforms.com | contact@universalplatforms.com
0800 866 587