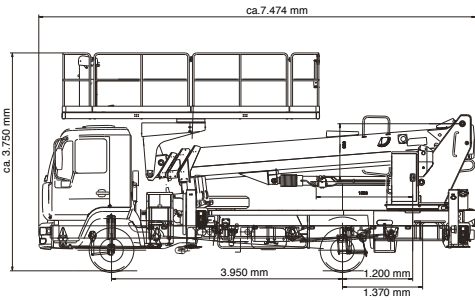




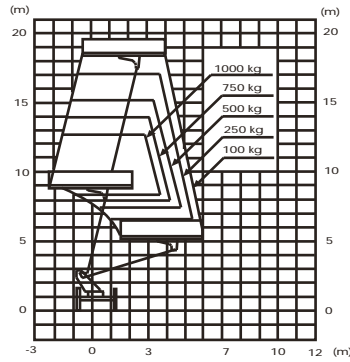
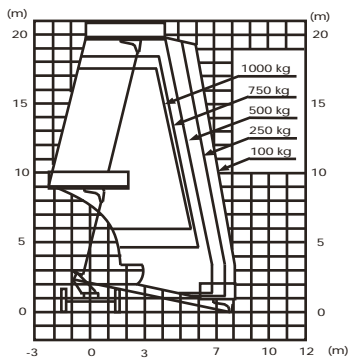
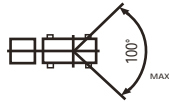
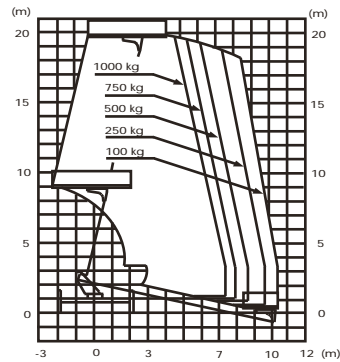
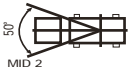
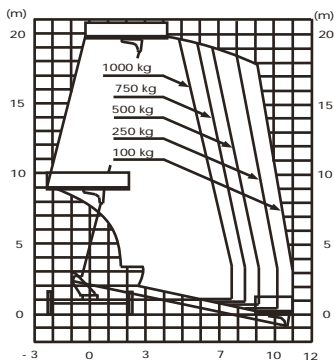
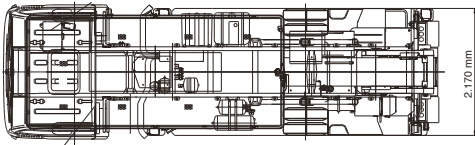
 **NACHI**

TZ 20A

## Specifications of the TZ-20A



The dimensions depend on chassis.



### Model Number & Name

TZ-20 A  
Heavy Load Aerial Platform

### Work Platform

Max. Load 1.000 kp  
Max. Height from the Ground 19.70 m  
Max. Work Range (1.000 kg) 7,5 m  
Max. Outreach (150 kg) 11,0 m  
Inside Dimensions  
W x D x H 1,94 m x 4,4 m x 1,1 m  
Rotation Angle 360° (all around)

### Boom

Type 4 step simultaneous telescopic  
Length 5.40 ~ 16.39 m  
Extension Stroke 10,99 m  
Raising Angle -15° ~ +79°  
Raising & Lowering Speed 55 s (Raising), 55 s (Lowering)  
Extension & Retraction Speed +/- 10s  
0.18 m/s

### Turntable

Rotation Angle 360° (all around)  
Rotation Speed 1,0 rpm

### Outrigger

Stretch Width 1,990 ~ 4,420 m  
Stroke 1,215 m  
Jack Stroke 0,645 m

### Safety System

Hydraulic Circuit (safety valve, jack extension/retraction safety system, boom extension/retraction safety system, Platform leveling system), Separate Work range limiting system by form interference prevention system, Boom/cabin interference prevention system, Voice warning system, Boom interlock system, Jack interlock system, Boom raising, lowering and rotation limiting system, Stop switch, Emergency pump, Lever guards, Foot pedal deadman control.

### Other Operator Friendly Systems

Vertical linear movement, Linear movements on horizontal plane, Automatic platform stowing system, Engine start, stop switch, Automatic acceleration of the engine, Checking system before starting to work, Illumination on the control, Rotation lathe cover, Boom sweeper, Level gauge.

### Optional Equipment

Blinking lights on the outriggers, Lighting lamp at the platform, Save

### Standard Zubehör

Lastverteilungsplatten, Bremsklötze, Ablagefächer

### Fahrgestell

MAN 9.185 LC 9,0 t zulässiges Gesamtgewicht  
Länge 7,47 m  
Breite 2,17 m  
Transporthöhe 3,75 m  
Radstand 3,950 m  
Gesamtgewicht incl. 2 Personen ca. 8.730 kg

Technische Änderungen vorbehalten!

0800 866 587

contact@universalplatforms.com  
universalplatforms.com

# Universal