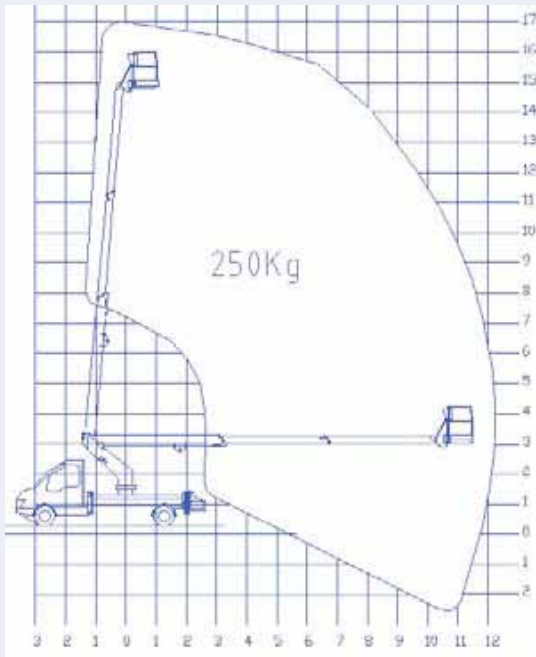




Ascendant 17-12 Vehicle mounted telescopic access platform



Special features

- Three stage telescopic boom with single hydraulic cylinder.
- Full pressure proportional hydraulic controls
- Engine stop start at platform and base controls
- 4 hydraulic H-type stabilisers operated from turret controls.
- One-side jacking on 3.5t allows 180 degrees rotation at full outreach and SWL
- Manual hand pump emergency operation at the base, plus manual rotation and descent
- Jacks/boom and PTO/handbrake interlocks
- Warning lights for:
 - booms not stowed
 - jacks not stowed
 - Reduced stabiliser bearing pressure

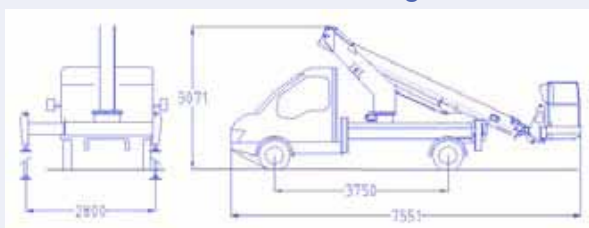
Vehicle specifications

Maximum working height	17.0m
Maximum platform height	15.0m
Max. working outreach	12.2m
Plan working arc (3.5t)	180°
Plan working arc (5.2t)	360°
SWL	250kg
Platform dimensions	0.8 x 1.5 x 1.1m
Stabiliser spread (3.5t GVW).....	2.8m
Stabiliser spread (5.2t GVW).....	2.5m
Kerb weight (3.5t chassis)	3300kg
Kerb weight (5.2t chassis)	4800kg

Typical chassis

Wheelbase (3.5t GVW)	3750mm
Travel length (3.5t GVW)	7.6m
Wheelbase (5.2t GVW)	4350mm
Travel length (5.2t GVW)	7.8m
Travel width	2.3m
Travel height	3.1m

Ascendant 17TH GVW 3,500 kg



Ascendant 17TN GVW 5,200 kg

