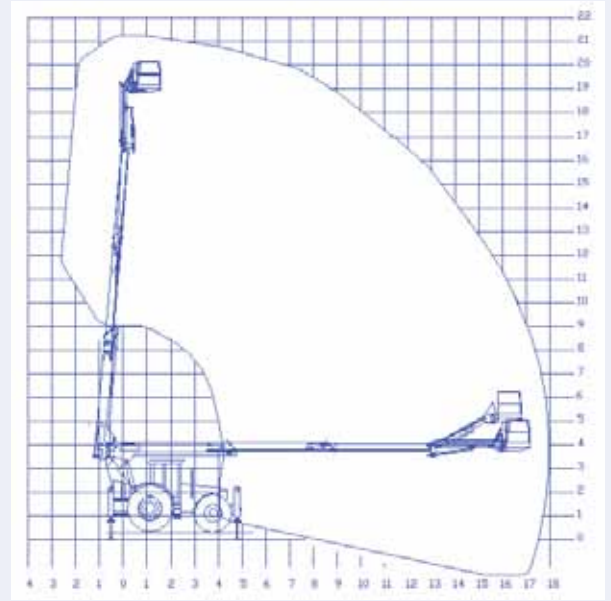




Ascendant 22-17 Tractor Mounted Telescopic Access Platform



Special features

3 stage telescopic boom plus 2.4m flyboom with 125° operating arc.

Full pressure proportional hydraulic controls at platform and base.

Engine stop start at platform controls
One-sided jacking facility.

DC power pack plus handpump emergency operation.

Jacks/boom and PTO/handbrake interlocks.

Cab and jack collision protection.

Warning lights for:

- booms not stowed
- jacks not stowed
- cab protection area
- Jack mode indicator

Vehicle specifications

Maximum working height 21.4m

Maximum platform height 19.4m

Max. working outreach 17.5m

SWL 280kg

Platform dimensions 1.0 x 1.8 x 1.1m

Platform rotation 160°

Jack width 3.8m

One sided jack option 2.9m

Tractor chassis: John Deere 6620SE

GVW..... 9000kg

Wheelbase 2560mm

Travel length 7.2m

Travel width 2.4m

Travel height 3.8m

